

Commercial Vehicle Awareness




A Commercial Motor Vehicle is

- Any single or combination motor vehicle used on a highway, IN COMMERCE, to transport property or passengers AND

Commercial Motor Vehicle

Has a gross vehicle weight rating (GVWR) or gross combination weight rating, or gross vehicle weight or gross combination weight, of (10,001 pounds) or more, whichever is greater;

MFD BY	CHRYSLER LLC	DATE OF MFR	11-07	GVWR	5534 KG(12200 LB)
GVWR FRONT	WITH TIRES	RIMS AT	COLD		
2359 KG(5200 LB)	LT235/80R17E	17X6.0	450 KPA(65 PSI)		
GVWR REAR	WITH TIRES	RIMS AT	COLD		
4242 KG(9350 LB)	LT235/80R17E	17X6.0	450 KPA(65 PSI)		
THIS VEHICLE CONFORMS TO ALL APPLICABLE U.S.A. FEDERAL MOTOR VEHICLE SAFETY STANDARDS IN EFFECT ON THE DATE OF MANUFACTURE SHOWN ABOVE.					
VIN:		TYPE:	TRUCK	SINGLE	DUAL X
					
MDH:	112722 864AB	PMT-PMT	VEHICLE MADE IN MEXICO	TRM:R905	4648507

Commercial Motor Vehicle

- Is designed or used to transport more than 8 passengers (including the driver) for compensation; or
- Is designed or used to transport more than 15 passengers, including the driver, and is not used to transport passengers for compensation;
 - OR

Commercial Motor Vehicle

- Is used in transporting material found by the Secretary of Transportation to be hazardous under 49 U.S.C. 5103 and transported in a quantity requiring placarding under regulations prescribed by the Secretary under 49 CFR, subtitle B, chapter I, subchapter C.

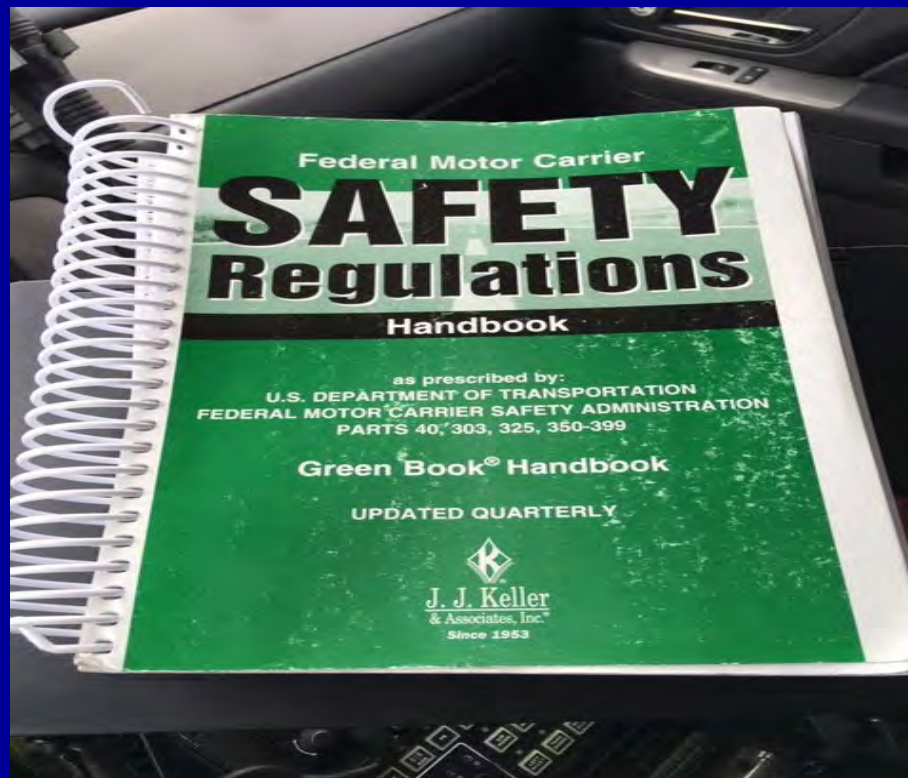








Now we know what a CMV is,
what does this mean? You need
to comply with sections of the
FMCSR.



FMCSA regulations

 United States Department of Transportation



[About FMCSA](#)

[Regulations](#)

[Registration](#)

[Safety](#)

[Analysis](#)

[News](#)

Improving the Safety of Commercial Motor Vehicles



Latest News

October 22, 2021

FMCSA Deputy Administrator Meera Joshi
Convenes Meetings in Midwest...

September 27, 2021

FMCSA Declares New York Truck Driver to
be an Imminent Hazard

September 16, 2021

U.S. Department of Transportation
Announces Winners of 2021 Road...

[Visit the Newsroom](#)



Services News Government Local

Department of Transportation

Travel Business Projects Employment About

5 Year Capital Plan



5 Year Capital Plan



Information for:



High Speed Rail

High Speed Rail
New York State Rail Plan
High Speed Rail Projects

[Tweets by @511NY](#)

Latest News

- Updated: Notice to Vendors about NYSDOT Onboarding to Statewide Financial System - Mar 19, 2021
- Governor Cuomo Announces Groundbreaking of Resiliency Project in Jefferson County - Apr 02, 2021

NYSDOT Jobs

Regional Economic

New York Transportation Law
section 820 explains exactly
what portions of the FMCSR
apply to NY operations.

The DOT inspection process

- There are primarily 3 levels of inspection
- As violations get cited against a “DOT number” it affects a companies score/rating; which ultimately will cause insurance issues, audits, and worse case scenario’s companies will be shut down.
- There is a North American Out of Service guide book that regulates what violations are deemed to place a truck or driver OOS
- Common OOS violations.....

Do you have a DOT#, and is it active?

- [SAFER Web - Company Snapshot](#)



U.S. Department of Transportation
Federal Motor Carrier Safety Administration
Safety and Fitness Electronic Records (SAFER) System

Company Snapshot

The *Company Snapshot* is a concise electronic record of a company's identification, size, commodity information, and safety record, including the safety rating (if any), a roadside out-of-service inspection summary, and crash information. The *Company Snapshot* is available via an ad-hoc query (one carrier at a time) free of charge.

Search Criteria

Users can search by DOT Number, MC/MX Number or Company Name.

USDOT Number MC/MX Number Name

Enter Value:



[SAFER Home](#) | [Feedback](#) | [Privacy Policy](#) | [USA.gov](#) | [Freedom of Information Act \(FOIA\)](#) | [Accessibility](#) | [OIG Hotline](#) | [Web Policies and Important Links](#) | [Plug-ins](#)

Federal Motor Carrier Safety Administration
1200 New Jersey Avenue SE, Washington, DC 20590 • 1-800-832-5660 • TTY: 1-800-877-8339 • [Field Office Contacts](#)

Check your MCS-150 date. Needs to be updated every 2 years. This is done online.

USDOT Number MC/MX Number Name

Enter Value:

Company Snapshot

J B HUNT TRANSPORT INC

USDOT Number: 80806

ID/Operations | [Inspections/Crashes In US](#) | [Inspections/Crashes In Canada](#) | [Safety Rating](#)

Carriers: If you would like to update the following ID/Operations information, please complete and submit form [MCS-150](#) which can be obtained [online](#) or from your State FMCSA office. If you would like to challenge the accuracy of your company's safety data, you can do so using FMCSA's [DataQs](#) system.

Other Information for this Carrier

-
-

Carrier and other users: FMCSA provides the Company Safety Profile (CSP) to motor carriers and the general public interested in obtaining greater detail on a particular motor carrier's safety performance than what is captured in the Company Snapshot. To obtain a CSP please visit the [CSP order page](#) or call (800)832-5660 or (703)280-4001 (Fee Required).

For help on the explanation of individual data fields, click on any field name or for help of a general nature go to [SAFER General Help](#).

The information below reflects the content of the FMCSA management information systems as of **02/27/2019**.

To find out if this entity has a pending insurance cancellation, please [click here](#).

Entity Type:	CARRIER/BROKER		
Operating Status:	AUTHORIZED FOR Property, HHG	Out of Service Date:	None
Legal Name:	J B HUNT TRANSPORT INC		
DBA Name:	J B HUNT		
Physical Address:	615 J B HUNT CORPORATE DRIVE LOWELL, AR 72745		
Phone:	(479) 820-0000		
Mailing Address:	615 J B HUNT CORPORATE DRIVE LOWELL, AR 72745		
USDOT Number:	80806	State Carrier ID Number:	
MC/MX/FF Number(s):	MC-135797	DUNS Number:	79-063-0669
Power Units:	17,654	Drivers:	19,982
MCS-150 Form Date:	12/04/2018	MCS-150 Mileage (Year):	1,269,157,819 (2018)
Operation Classification:			

If you get this.....

Record Not Found

No records matching **USDOT Number = 153894** were found in the SAFER database.



[SAFER Home](#) | [Feedback](#) | [Privacy Policy](#) | [USA.gov](#) | [Freedom of Information Act \(FOIA\)](#) | [Accessibility](#) | [OIG Hotline](#) | [Web Policies and Important Links](#) | [Plug-ins](#)

Federal Motor Carrier Safety Administration
1200 New Jersey Avenue SE, Washington, DC 20590 • 1-800-832-5660 • TTY: 1-800-877-8339 • [Field Office Contacts](#)

And if you just can't figure it out..

- You can contact NYSDOT 518-457-1046
- They will help you update your mcs-150.

If you need to get a DOT#

- Through the web at <http://safer.fmcsa.dot.gov>
- For Intra-State Carriers you may call either (518) 457-6512
- Do not pay a “service” and ignore all solicitors

Marking your CMV

- Must have company's name and USDOT#
- Both sides of vehicle
- Visible from 50'
- Sharply contrast background color

!!!!!! NYS LICENSING !!!!!!

- How big of a vehicle, combination truck trailer, can you drive on a standard Class D license?
- A single vehicle up to 26,000 gvwr/actual weight and can pull a trailer up to 10,000 gvwr/actual.
- What about air brakes???

CDL class B

- Needed for single vehicle over 26,000 gvwr/actual
- Can pull a trailer up to 10,000 gvwr/actual.
- Must be 21, or 18 Intrastate/no HAZMAT/passengers.

CDL class A

- Needed for combination vehicle with GVWR or actual weight over 26,000 and the towed unit is over 10,000.
- Must be 21 for interstate
- NY just changed 18 and older can get class A with K restriction.

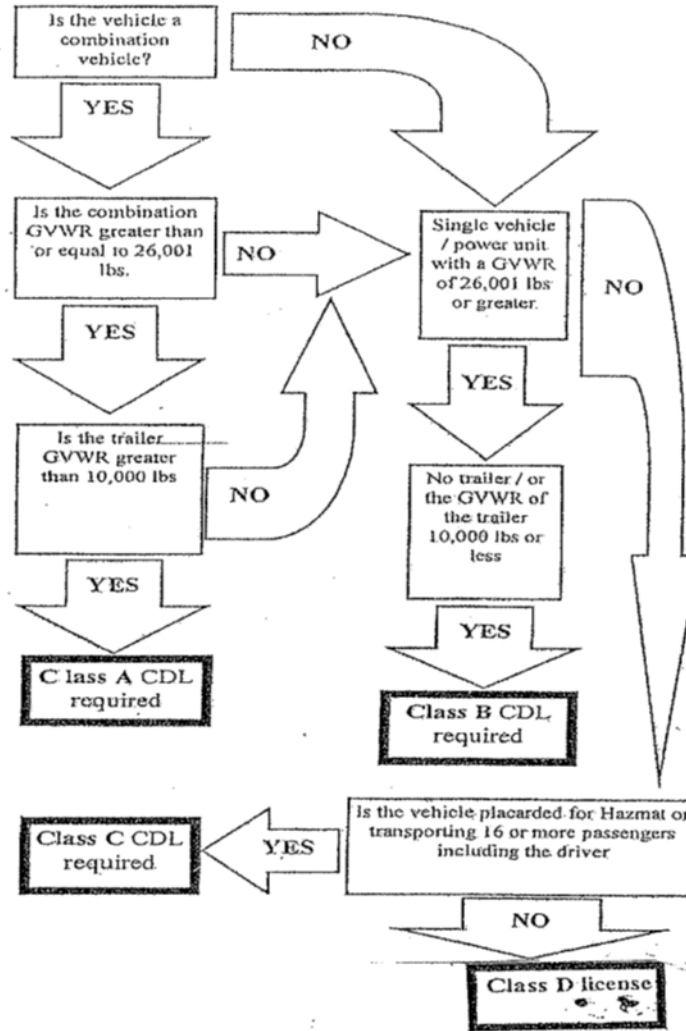
Do you think this is Class A?



Licensing

- DMV will allow you to register your truck and trailer to non CDL weights, but actual GVWR or actual weight will be used to determine license class.

CDL Flow Chart



This also applies to personal use

- Can I take my road test for a Class A license in a pickup truck/trailer combination?
- YES, but you will receive an O1 restriction on your license. No power unit over 26,000.
- Dump truck over 26,000/trailer will receive an O restriction. No tractor trailer combo.

But what about this??



But I heard you don't need a CDL for farm vehicles.

- That is correct, BUT..
- The AG/Farm vehicle that would require a CDL must carry a CFV-1 form in each vehicle, **AND** the driver must be 18 and have the **appropriate farm endorsement on his/her license**. F or G=road test
- These vehicles can not be used in for-hire operations or transport HAZMAT.
- F vehicles can drive 150 mile radius, G can drive in all of NY

• International Registration Plan and International Fuel Tax Agreement

1.1 - Commercial Motor Vehicles (CMV)

You must have a Commercial Driver License (CDL) or Commercial Learner Permit (CLP) to operate any of the following CMVs:

- Any single vehicle with a gross vehicle weight rating (GVWR) of 26,001 pounds or more.
- A trailer with a GVWR of more than 10,000 pounds if the gross combination weight rating (GCWR) is 26,001 pounds or more. GCWR is the GVWR of the power unit plus the GVWR of each vehicle in combination.
- A vehicle designed to transport 15 or more passengers (excluding the driver) or a vehicle defined as a bus under Article 19-A, Section 509-a of the NYS Vehicle and Traffic Law (VTL).
- Any size vehicle that requires hazardous materials placards or is carrying material listed as a select agent or toxin in 42 CFR part 73. Federal regulations through the Department of Homeland Security require a background check and fingerprinting for the Hazardous Materials endorsement.

EXEMPTIONS

Drivers of the following vehicles that otherwise meet the definition of a CMV are exempt from the CDL requirement:

- A vehicle owned and controlled by a farmer that has a GVWR of more than 26,000 lbs and is used to transport agricultural products, farm machinery, or farm products within 150 miles of the farm.
- Off-road motorized construction equipment such as motor scrapers, backhoes, motor graders, compactors, tractors, trenchers, bulldozers and railroad track maintenance cranes are exempt when



The undersigned designates the following vehicle as a covered farm vehicle, as defined in section 501-a(7) of the NYS Vehicle and Traffic Law and 49 CFR §390.5.

Vehicle Information

Year	Make	Model	VIN
Owner Name			
Owner Address			

X

Signature of Owner or Authorized Representative

Date

Printed Name

Title (if applicable)

A covered farm vehicle is:

- Operated by the owner or operator of a farm or ranch, or an employee or family member of an owner or operator of a farm or ranch;
- Used to transport agricultural commodities, livestock, machinery or supplies to or from a farm or ranch;
- Not used in for-hire motor carrier operations; however, for-hire motor carrier operations do not include the operation by a tenant pursuant to a crop share farm lease agreement to transport the landlord's portion of the crops under that agreement.

A covered farm vehicle may not transport hazardous materials in an amount that requires placarding.

Exemptions

A person operating a covered farm vehicle is exempt from the following requirements:

- Holding a commercial driver license
- Federal controlled substances and alcohol use and testing
- Medical certification requirements
- Hours of service requirements
- Federal inspection, repair and maintenance requirements

A covered farm vehicle weighing more than 26,000 pounds may be operated only in New York State, within 150 air miles from the farm or ranch. A covered farm vehicle weighing 26,000 pounds or less, may be operated anywhere within the United States. However, before operating outside of New York State, consult with other states to determine whether they recognize the covered farm vehicle designation.

If the covered farm vehicle weighs more than 26,000 pounds, the operator of the vehicle must have an F or G endorsement on his or her NYS license.

The covered farm vehicle designation must be kept in the motor vehicle at all times and produced to a law enforcement official upon request.

Pay attention to license endorsements/restrictions.



NEW YORK STATE
David J. Swarts
Commissioner of Motor Vehicles

ENHANCED DRIVER LICENSE

ID: 012 345 678 CLASS D

DOCUMENT
SAMPLE, LICENSE
2345 ANYPLACE AVE
ANYTOWN NY 12345
DOB: 06-09-85
SEX: F EYES: BR HT: 5-09
E: NONE
R: NONE
ISSUED: 09-30-08 EXPIRES: 10-01-16

8AJ120T521

Sample License Document

The license features a portrait of a woman on the left, the state seal of New York in the center, and an American flag on the right. The background includes a scenic view of a river and mountains.

Restrictions

- B-corrective lenses
- A3-medically exempt
- K-intrastate only
- E-no manual transmission
- L-no airbrake equipped vehicles
-

Endorsements

- N-tank vehicle over 1000, or loaded multiple IBC's > 1000
- H-hazmat
- X-tank/hazmat combo
- F-farm class A
- G-farm class B
- W-tow truck
-

Drug and alcohol clearinghouse

- Any refusal of a test
- Any positive test drug/alcohol will result in prohibited operation status in the clearinghouse.

DOT physical/med cards

- You need one if...
- You operate any CMV and received your first drivers license after 01/01/2004, (unless it has the CFV-1 form in it)
- You operate a CMV outside NY
- You have a CDL,(unless you have an A3 restriction)
- If you have CDL w/med card, pay attention to med expiration/restrictions/downgrading

Registering agriculture/farm
vehicles.

Agricultural Vehicles

- (NYS VTL 401-7E2) – must be:
 - a. Engaged in planting, harvesting, or cultivation farm related crops
 - b. Raising, feeding, care of livestock, bees and poultry

Agricultural Vehicles

c. Dairy farming

d. Used for transportation of **HIS** **OWN** agricultural commodities or supplies, or personal passenger use, or lumbering operations but only *incidental* to the operation of the farm

Agricultural Plated Vehicles

- No restriction on distance from farm (Over 26,000 lbs and used out of State you must check to see if you have to be apportioned in that State)
- No restriction on where you can travel in New York.

Farm Plated Vehicles

- Must carry MV-260F in vehicle
- Must be between connected portions of farm or farms.
- Cannot be used more than 25 miles one way from farm.

Farm Plated Vehicles

- **Not** for taking products to market-(facilities controlled by the farm)
- Transporting FARM materials to the nearest municipal landfill.
- To repair shop for repairs.

Annual inspections for Farm and Agricultural Vehicles

- Farm plated vehicles do not need annual inspections, but remember, all CMV's no matter how they are registered, are subject to DOT roadside inspections.
- Agricultural plated vehicles need NY annual inspections. Heavy duty inspection over 18,000

Trailers:

You **CANNOT** register your trailers in Maine unless

You have a Physical Address: residence or business (Can NOT use a BOX number or register through an agency) and the trailer is housed in Maine for part of the year. Or
You have apportioned plates.



23-1037E

Trailer annual inspection:

- New York plated trailers, need NY inspection. (unless FARM plated)
- If allowed to register out of State it must have Federal Annual Inspection or equivalent state inspection

Trailers

- 375.1c NYS VTL – Every trailer weighing more than 1,000 lbs empty or GVWR of 3,001 lbs or more must be equipped with working brakes on each axle.

Trailers

- Every trailer equipped with brakes must have a breakaway device capable of activating brakes on the trailer and it must be in working condition. Breakaway cable must be attached to towing vehicle.



Trailers:

- Safety chains must be attached to the towing vehicle and crossed.
- All cargo and equipment must be secured on the trailer.



Towing more than 1 Vehicle

375.29(a) NYS VTL

- You can not tow more than one vehicle (trailer) at a time.
- Only exception is tractor trailer, with fifth wheels.



Driving a CMV, what you need to know.

- You fall into ALL of FMCSR 392 “Driving of Commercial Vehicles”
- -ill/fatigued driving
- -drug/alcohol, can have 0 detected presence of alcohol/drugs (marijuana)
- -pre trip inspection
- -inspection of emergency equipment
- -inspection of cargo, cargo securement.
-and much more!!

Driving a CMV, what you need to know.

- You also fall into all of FMCSR 393 “Parts and accessories necessary for safe operation”
- Tire tread
- Brake adjustments/conditions
- Working required lights
- Steering/suspension
-
- Even if Farm plated

393.95 – Emergency Equipment

- Every commercial vehicle is to be equipped with fire extinguisher with a rating of 5 B:C or more or 2 with a rating of 4 B:C. It must be marked with the rating. It must be filled and located so that it is readily accessible for use. It must have a visual indicator to show it is full charged.

Warning Devices - 393.95

- (1) Three bidirectional emergency reflective triangles that conform to the requirements of Federal Motor Vehicle Safety Standard No. 125, [§571.125](#) of this title;

•OR

Warning Devices

- (2) At least 6 fusees or 3 liquid-burning flares. The vehicle must have as many additional fusees or liquid-burning flares as are necessary to satisfy the requirements of [§392.22](#) – Last as long as the commercial motor vehicle is stopped.
- Section 392.22 details the placement of warning devices.

Emergency Equipment



393.100 – Load Securement General

- Must prevent against cargo from *Leaking, spilling, blowing or falling* from the motor vehicle.
- Prevent against shifting of load.

Load Securement

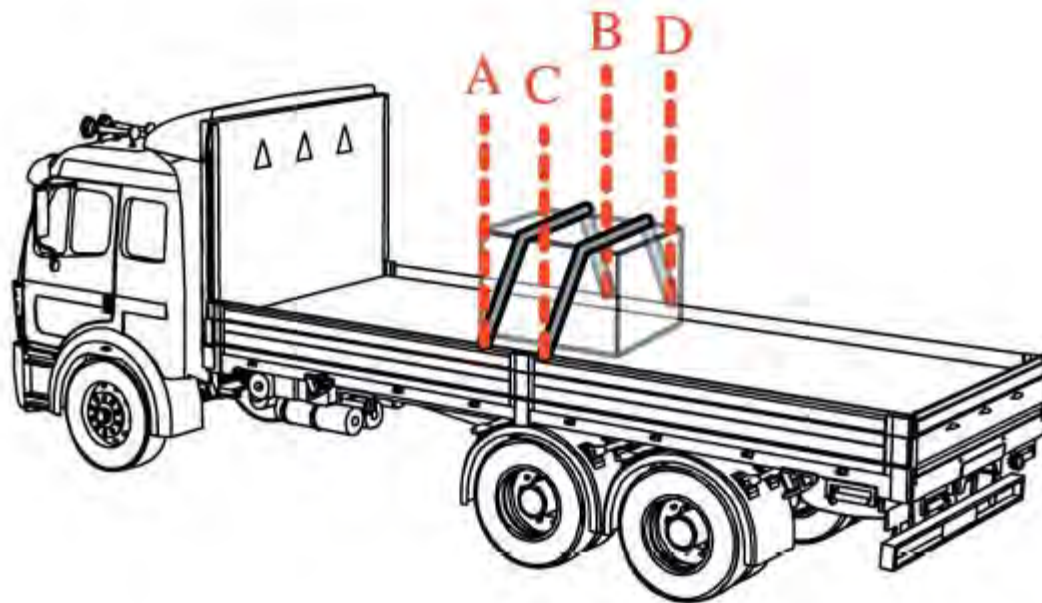
- 393.104 Using damaged tiedowns
- 393.106 Direct vs Indirect tiedowns and calculating WLL
- 393.108 WLL charts. If grade of chain can not be determined it will get lowest WLL
- 393.110 Tiedowns for length
- 393.112 Tiedowns need to be adjustable.





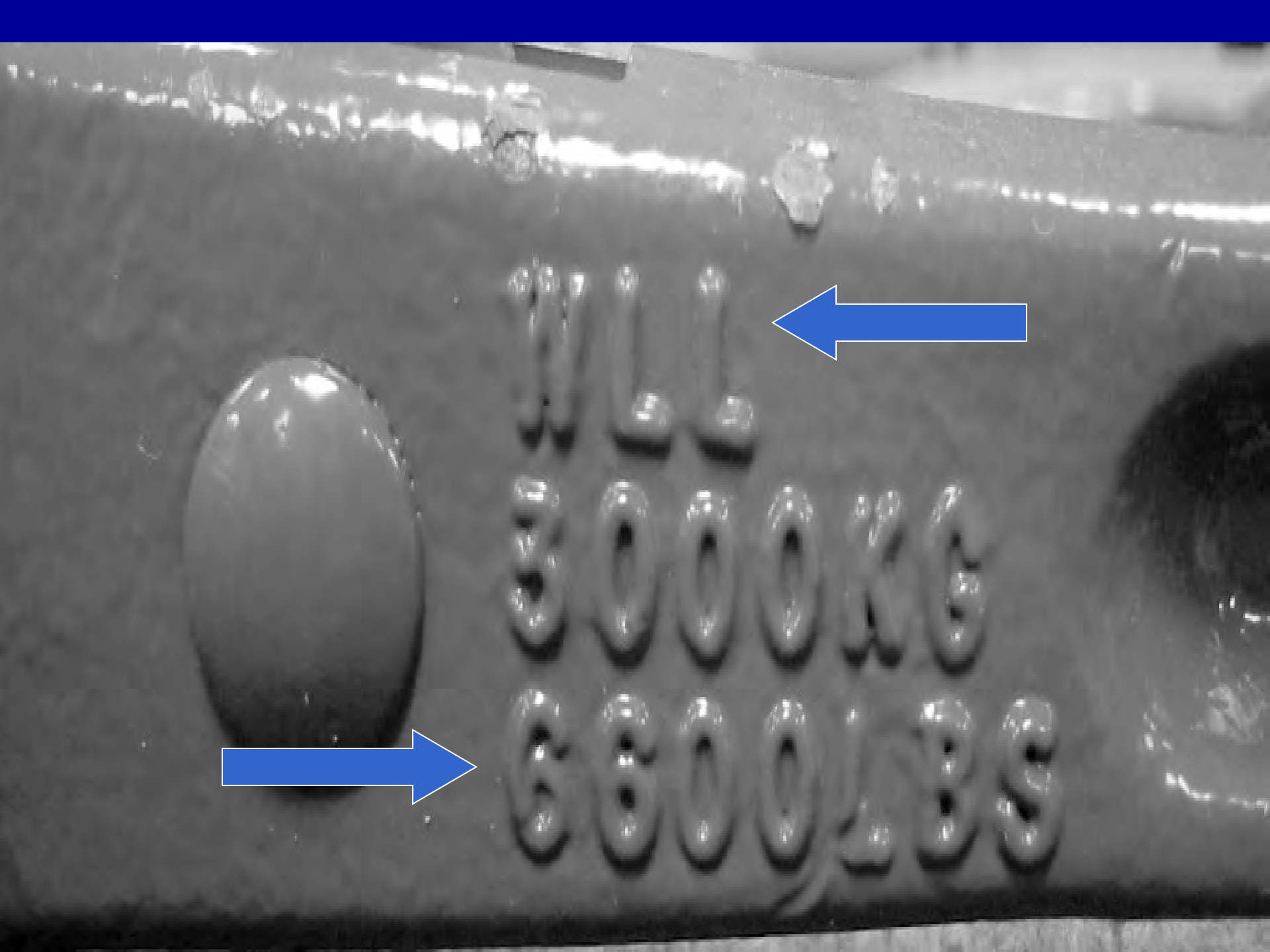


Indirect Tiedown



Direct Tiedown







Securement for length.

- If not against headerboard
- One tiedown for up to 5' and 1,100
- Two tiedowns up to 5' and over 1,100
- Two tiedowns for 5'-10' irrespective of # and then an additional tie down for every additional 10' or fraction thereof.
- If against headerboard, 1 tiedown every 10'



Projected load-Fed and NY

- Any load that extends 4' or more in front of, or to the rear of a vehicle needs a red flag, 24" square. Night requires a light.



375-36 NYS VTL – Slow moving vehicle signs

- Required on vehicles that operate at 35 mph or less on both the towing and towed vehicle-Must be kept clean and replaced when faded.
- On public highways day or night.
- Used in addition to any other lighting or flags required.
- CAN'T USE TO MARK DRIVEWAY



New York State Laws

- Width- Legal width is 8', or 8'6" on qualifying/ designated access highways, or roadways with 10' lanes.

Widths: Farm Vehicles – 385 NYS VTL

- Exemption for 8' 6" up 12 feet wide and must be used solely for farm purposes.
- From 12 feet to 17 feet if operated ½ hour before sunrise to ½ hour after sunset must have.
- Red or orange fluorescent flag not smaller than 18" x 18" placed on extreme corners of load.
- AND

Widths: Farm Vehicles

- Two flashing amber lights attached to the rear of the load or if vehicle hauling the load is equipped with hazard lights and they are visible from the rear of the load and such lights are flashing. AND

Widths: Farm Vehicles

- If vehicle or load extends beyond the center line of the highway or if operated when rain, snow, sleet, hail, fog, insufficient light or any other reason visibility for a distance of 1000 feet ahead is not clear the vehicle is to be preceded by an escort vehicle with warning signs and flashing lights.

Over 17'..??!!

30 WOLF ROAD, 1ST FLOOR
Albany, New York 12232

Type 7B – Oversize Farmers Equipment

Authorizes the movement of farm tractors and implements or combination thereof used exclusively for agricultural purposes and which are not required to be registered with the Department of Motor Vehicles pursuant to article 14 of the Vehicle and Traffic Law. Farm vehicles, when in the possession of farmers, up to 17'0" in width and used solely for farm purposes are legally allowed to travel on State highways. A "round trip" authorizes the movement of an oversize and/or overweight vehicle from one specific place to another and return hauling the same load or unladen.

Limits:

160'0" Long
15'11" High
199,999 Lbs.

Special Requirements:

- 17 Feet and over
 - a. 18" x 18" red or orange fluorescent flags on staffs at all corners of vehicle/load.
 - b. Warning sign with lights on rear of load
 - c. No travel business districts 7:00 – 9:00 AM and 4:00 – 6:00 PM
- 19 Feet and over:
 - a. In addition to above, front police escort and rear regular escort on two-lane highways.
- 20 Feet and over:
 - a. In addition to item 1, front and rear police escort on two-lane highways, rear police escort on four-lane highways and regular escort in front.

8.50 x 11.00 in Certified Escorts are not necessary for movements of farm equipment.



Weights – 385 NYS VTL

- Cannot exceed maximum Gross Vehicle Weight Rating (GVWR) of the vehicle.
- Cannot exceed tire weight ratings-would be OOS which=off loading material.
- Cannot exceed axle weights. – 22,400 single axle, 36,000 dual axle.
- Cannot exceed registered weight

Weights-385 NYS VTL

- Cannot exceed posted weight restrictions for roads or bridges.



Weights – 385 NYS VTL

- 3 or more axle truck, state formula is 34,000 plus 1,000 for every 1' from center of axle 1 to center of rear most axle. OR
- Use federal bridge formula
- $W = 500 (L N + 12N + 36)$ after 70,000 must use federal bridge
- Know that full size tractor trailer 51' spread legal weight is 80,000

Figuring out weight..



Permissible Gross Loads for Vehicles in Regular Operation¹

Based on weight formula

$$W = 500 \left[\frac{LN}{N-1} + 12N + 36 \right]$$

Distance in feet (L) between the extremes of any group of 2 or more consecutive axles

Maximum load in pounds carried on

any group of 2 or more consecutive axles²

Tandem Axle Weight (see pages 3 & 4)	L	N=	Maximum load in pounds carried on any group of 2 or more consecutive axles ²								
			2 AXLES	3 AXLES	4 AXLES	5 AXLES	6 AXLES	7 AXLES	8 AXLES	9 AXLES	
{	4.....		34,000	
	5.....		34,000	
	6.....		34,000	
	7.....		34,000	
	8.....		34,000	34,000	
	More than 8/less than 9		38,000	42,000	
	9.....		39,000	42,500	
	10.....		40,000	43,500	
	11.....		44,000	
	12.....		45,000	50,000	
	13.....		45,500	50,500	
	14.....		46,500	51,500	
	15.....		47,000	52,000	
	16.....		48,000*	52,500	58,000	
	17.....		48,500	53,500	58,500	
	18.....		49,500	54,000	59,000	
	19.....	Example	50,000	54,500	60,000	
	20 (see page 7)		51,000	55,500	60,500	66,000	
	21.....		51,500	56,000	61,000	66,500	
	22.....		52,500	56,500	61,500	67,000	
	23.....		53,000	57,500	62,500	68,000	
	24.....		54,000	58,000	63,000	68,500	74,000	
	25.....		54,500	58,500	63,500	69,000	74,500	
	26.....		55,500	59,500	64,000	69,500	75,000	
	27.....		56,000	60,000	65,000	70,000	75,500	
	28.....		57,000	60,500	65,500	71,000	76,500	82,000	
	29.....		57,500	61,500	66,000	71,500	77,000	82,500	
	30.....		58,500	62,000	66,500	72,000	77,500	83,000	
	31.....		59,000	62,500	67,500	72,500	78,000	83,500	
	32.....		60,000	63,500	68,000	73,000	78,500	84,500	90,000	
	33.....		64,000	68,500	74,000	79,000	85,000	90,500	
	34.....		64,500	69,000	74,500	80,000	85,500	91,000	
	35.....		65,500	70,000	75,000	80,500	86,000	91,500	
	36.....		66,000	70,500	75,500	81,000	86,500	92,000	
	37.....	Exception (see page 9)	66,500	71,000	76,000	81,500	87,000	93,000	
	38.....		67,500	71,500	77,000	82,000	87,500	93,500	
	39.....		68,000	72,000	77,500	82,500	88,500	94,000	
	40.....		68,500	73,000	78,000	83,500	89,000	94,500	
	41.....		69,500	73,500	78,500	84,000	89,500	95,000	
	42.....		70,000	74,000	79,000	84,500	90,000	95,500	
	43.....		70,500	75,000	80,000	85,000	90,500	96,000	
	44.....		71,500	75,500	80,500	85,500	91,000	96,500	
	45.....		72,000	76,000	81,000	86,000	91,500	97,500	
	46.....		72,500	76,500	81,500	87,000	92,500	98,000	
	47.....		73,500	77,500	82,000	87,500	93,000	98,500	
	48.....		74,000	78,000	83,000	88,000	93,500	99,000	
	49.....		74,500	78,500	83,500	88,500	94,000	99,500	
	50.....		75,500	79,000	84,000	89,000	94,500	100,000	
	51.....		76,000	80,000	84,500	89,500	95,000	100,500	
	52.....		76,500	80,500	85,000	90,500	95,500	101,000	
	53.....		77,500	81,000	86,000	91,000	96,500	101,500	
	54.....		78,000	81,500	86,500	91,500	97,000	102,000	
	55.....		78,500	82,500	87,000	92,000	97,500	102,500	
	56.....		79,500	83,000	87,500	92,500	98,000	103,000	
	57.....	Interstate Gross Weight Limit (see page 2)	80,000	83,500	88,000	93,000	98,500	104,000	
	58.....		84,000	89,000	94,000	99,000	104,500	
	59.....		85,000	89,500	94,500	99,500	105,000	
	60.....		85,500	90,000	95,000	100,500	105,500	

¹The values in this table reflect FHWA's policy of rounding down when calculated weights fall exactly halfway between 500-pound increments. Because the Bridge Formula is designed to protect highway infrastructure, FHWA determined that this conservative policy is consistent with the statutory mandate.

²The following loaded vehicles must not operate over H15-44 bridges; 3-S2 (5-axle tractor

semitrailer with a wheelbase of less than 38 feet), 2-S1-2 (5-axle semitrailer combination with a wheelbase of less than 45 feet), 3-3 (6-axle truck trailer combination with a wheelbase less than 45 feet), and any truck with 7 or more axles. H15-44 bridges are designed for a specific vehicle load; H15 refers to a 15-ton-2-axle truck; 44 refers to the year AASHTO published the loading information. See AASHTO Standard Specifications for Highway Bridges.

Div load permits

- Pay attention to the “additional requirements” at the bottom of your permits.
- Pressure regulator must be outside the cab.
- 80% rule
- All axles(other than steer/trackable) must run duals-no super singles.

Overweight Tickets=\$\$\$\$

- Permits- if you exceed any of the permitted weights by greater than 7% the permit shall be deemed void; which means you're now back to legal weight requirements.

Heights – 385 NYS VTL

Cannot exceed 13'6" or any other posted height restriction.

No exemptions on height for anyone-over 13'6"

↑
12'-3 1/2"

 **Ryder**

Trailer Rental & Leasing

12/07/2007

Permits:

- If over legal dimension or weights you can apply for Special Hauling and Divisible Load Permits at
 - WWW.NYPERMITS.ORG

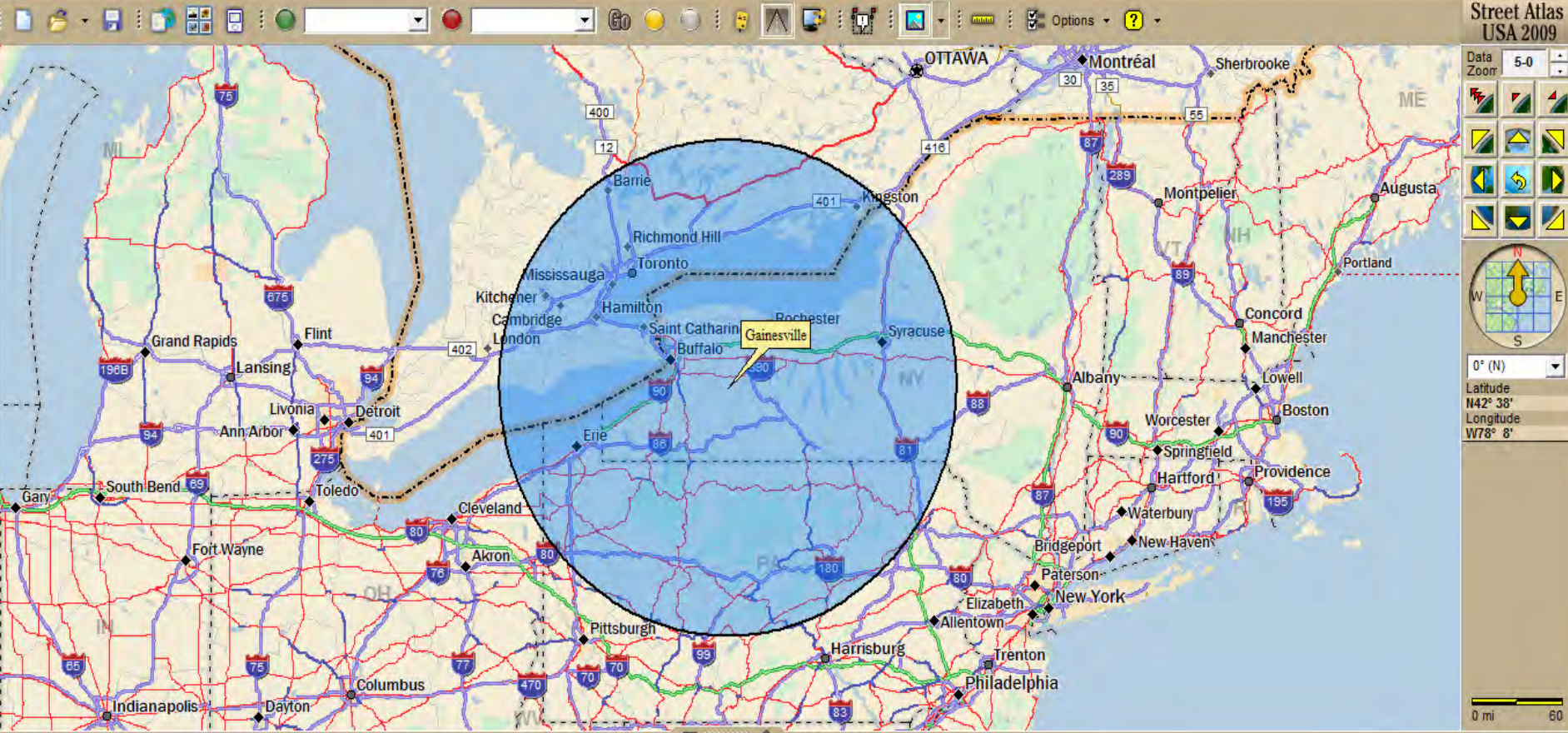
MOTS

- Materials of Trade



Hours of Service/ELD's

- BASIC explanation, Covered farm vehicle under 26,001 exempt from hours of service. Covered farm vehicle/combo over 26,000 exempt from hours of service within 150 air mile radius from farm.
- If you do go outside your 150 radius, you now fall into HOS/ELD.
- Can use paper 2000/older truck, or 8/30 per driver.



Data Zoom: 5-0

0° (N)

Latitude: N42° 38'

Longitude: W78° 8'

0 mi 60

Map Files Find Print Draw GPS Route Info NetLink Voice Handheld Export

Tools

Sample Circle:

Fill: Blended

Outline: —

Width: —

Latitude: N42° 38.4721'

Longitude: W78° 8.0337'

Radius: 150 mi

Apply



One last topic-school zones



In conclusion.....



We don't want this.....



\$16 MILLION
\$5 MILLION
\$4.8 MILLION
\$3.2 MILLION

G **GORDON** (225) **926-1234**
MCKERNAN INJURY ATTORNEYS
Results vary and depend on the facts of each case. getGordon.com

Thank You!!!

